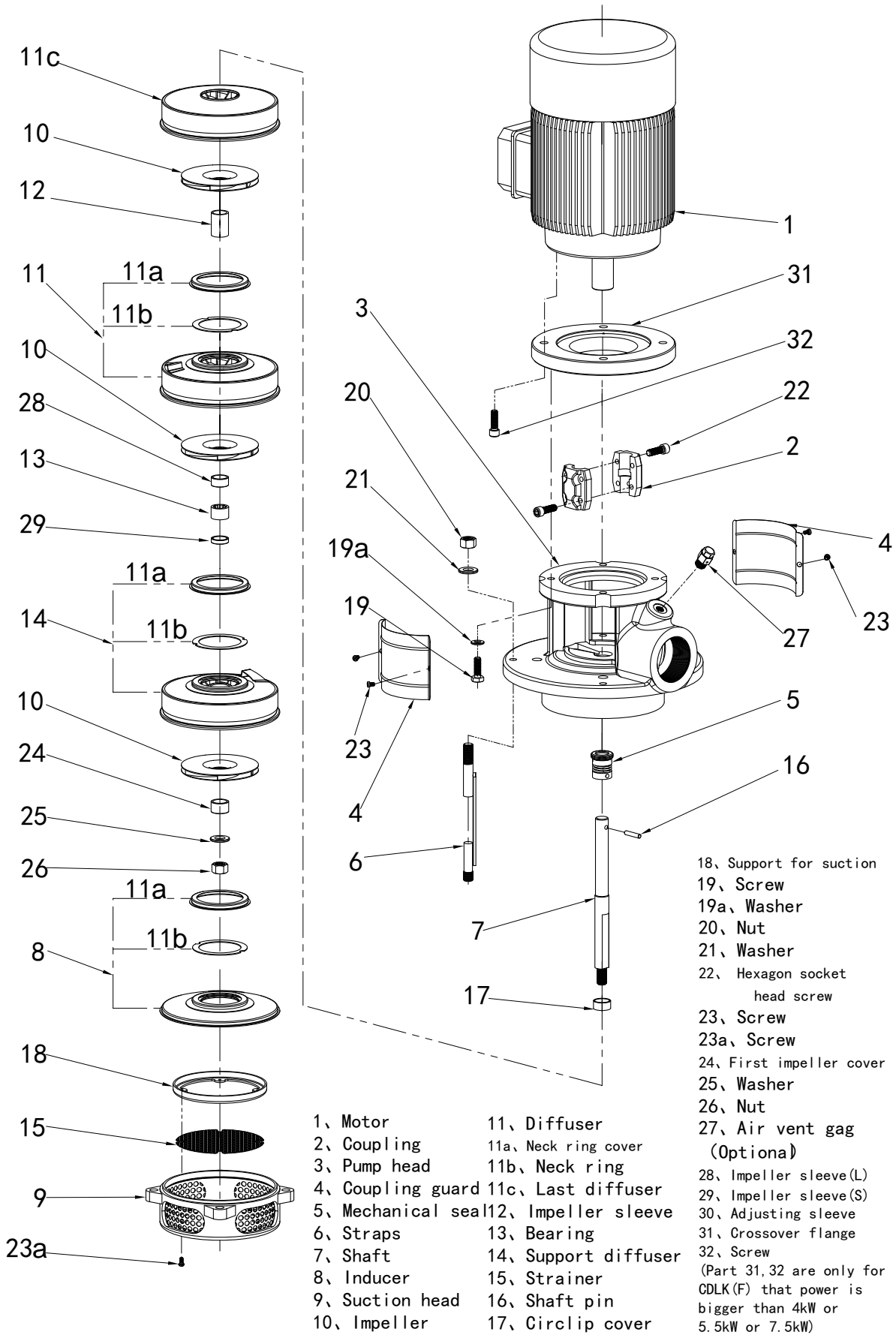
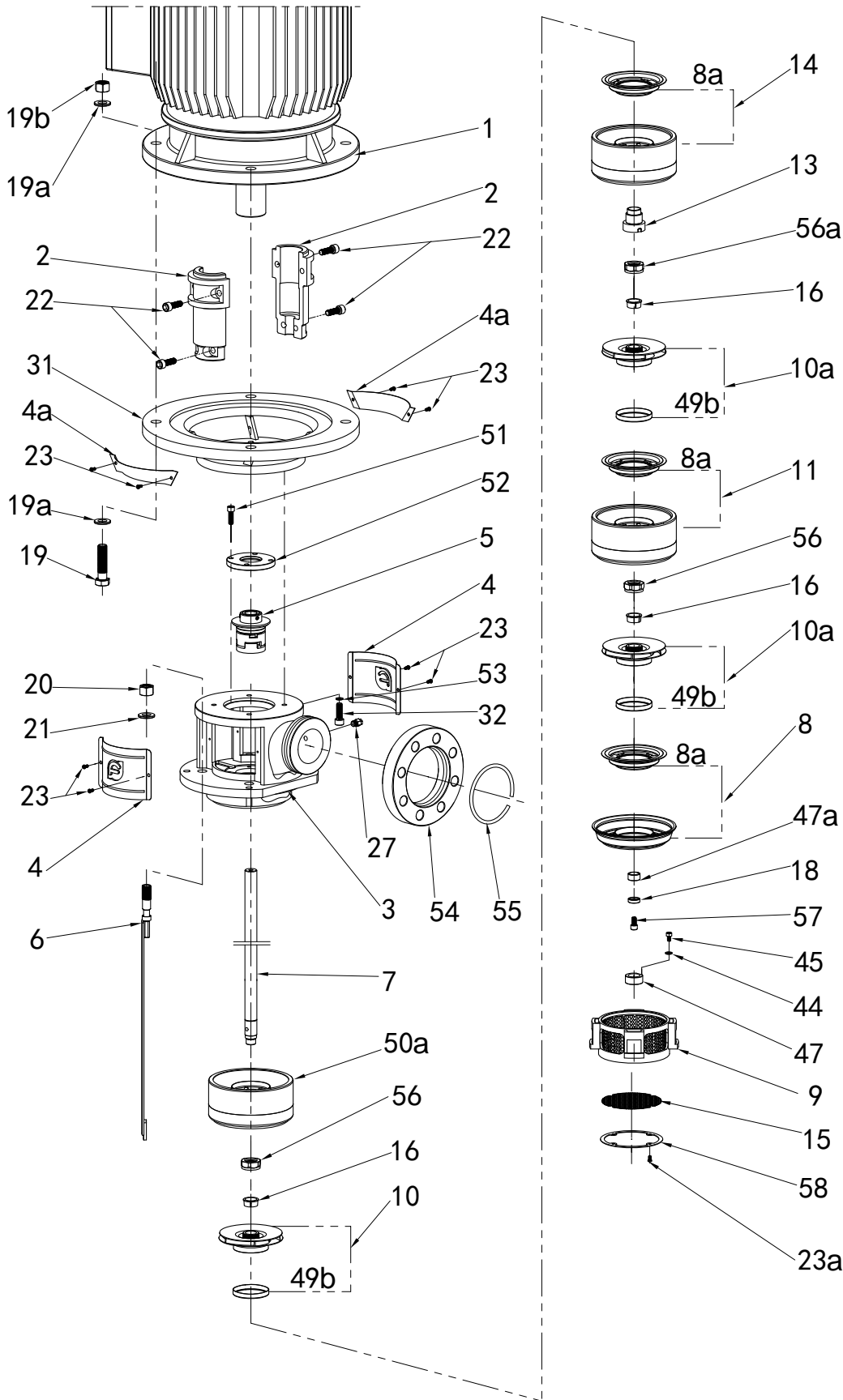


- |                    |                      |                        |                               |                             |
|--------------------|----------------------|------------------------|-------------------------------|-----------------------------|
| 1, Motor           | 8, Inducer           | 13, Bearing            | 19, Screw                     | 24, First impeller cover    |
| 2, Coupling        | 9, Suction head      | 14, Support diffuser   | 19a, Washer                   | 25, Washer                  |
| 3, Pump head       | 10, Impeller         | 15, Strainer           | 20, Nut                       | 26, Nut                     |
| 4, Coupling guard  | 11, Diffuser         | 16, Shaft pin          | 21, Washer                    | 27, Air vent gag (Optional) |
| 5, Mechanical seal | 11a, Neck ring cover | 17, Circlip cover      | 22, Hexagon socket head screw | 28, Strainer retainer       |
| 6, Straps          | 11b, Neck ring       | 18, Impeller sleeve(S) | 23, Screw                     | 29, Gasket                  |
| 7, Shaft           | 12, Impeller sleeve  | 18a, Adjusting sleeve  | 23a, Screw                    |                             |

# CDLK(F)1, 2, 3, 4-080701



**CDLK(F) & 16、20-090902**



- 1、 Motor
- 2、 Coupling
- 3、 Pump head
- 4、 Coupling guard
- 4a、 Coupling guard for crossover flange (No this part for pump's power less than 11kW)
- 5、 Mechanical seal
- 6、 Straps
- 7、 Shaft
- 8、 Inducer
- 8a、 Neck ring base assembly
- 9、 Suction head
- 10、 Small impeller
- 10a、 Impeller (Not for 1 to 3 stages pump)
- 11、 Diffuser
- 13、 Bearing
- 14、 Support diffuser (Not for 1 to 3 stages pump)
- 15、 Strainer
- 16、 Cone
- 18、 Cover
- 19、 Hexagon socket head screw
- 19a、 Washer
- 19b、 Hexagon nut
- 20、 Hexagon nut
- 21、 Washer
- 22、 Hexagon socket head screw
- 23、 Screw
- 23a、 Screw (Optional)
- 31、 Crossover flange (No this part for pump's power less than 5.5kW)
- 32、 Hexagon socket head screw
- 44、 Washer
- 45、 Screw
- 47、 Bottom bearing
- 47a、 Bottom sleeve
- 49b、 Ring for neck ring
- 50a、 Top diffuser
- 51、 Hexagon socket head screw
- 52、 Seal cover
- 53、 Washer
- 54、 Flange
- 55、 Circlip
- 56、 Impeller nut
- 56a、 Impeller nut for support diffuser (Not for 1 to 3 stages pump)
- 57、 Hexagon socket head screw
- 58、 Ring for strainer

CDLK(F)32 42-090101