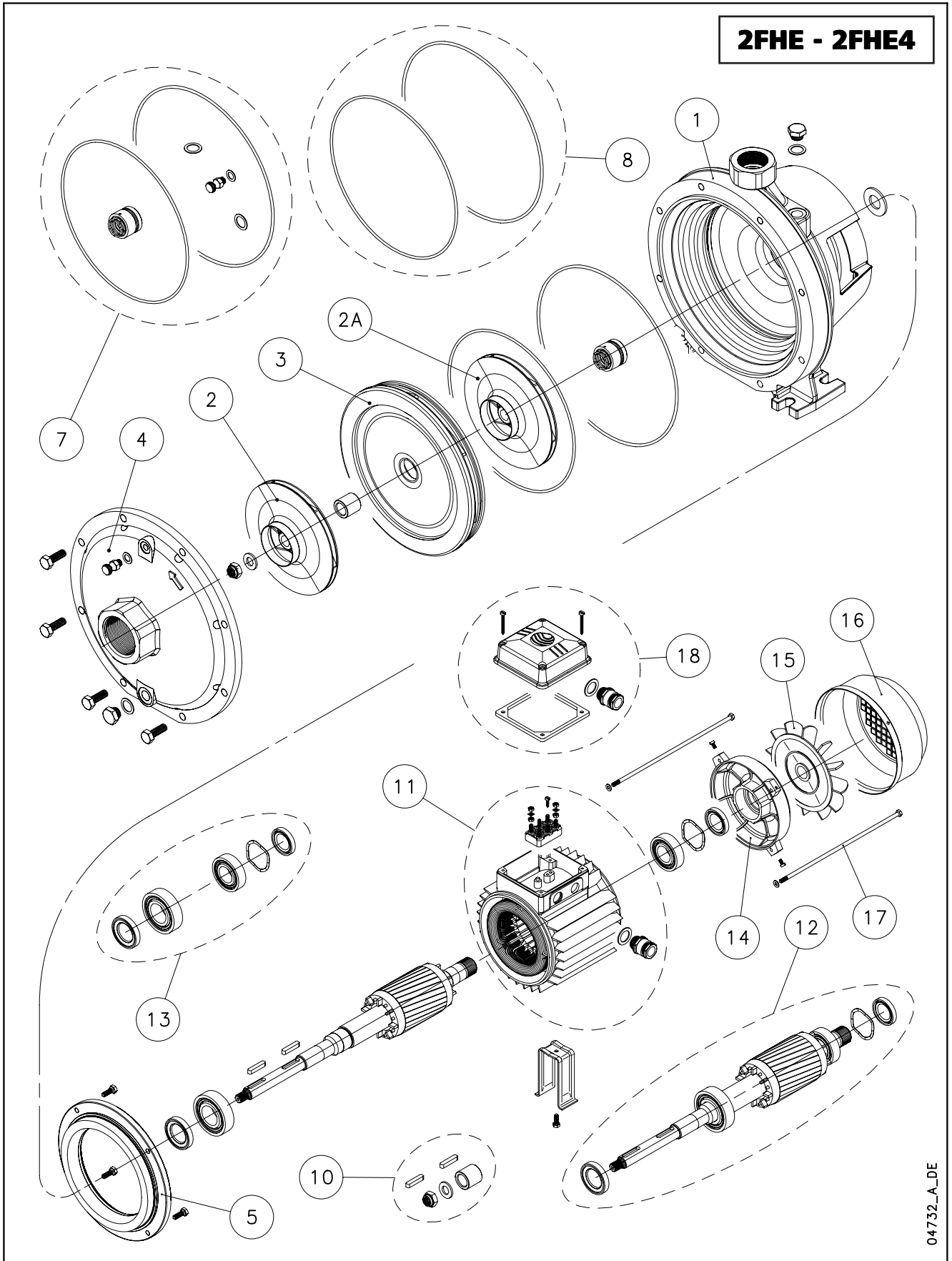




ITT

Lowara

2FHE - 2FHE4



04732_A_DE

**IT**

| N. | Descrizione it | Description en | Description fr | Beschreibung de | Descripción es | Descrição pt |
|----|------------------------------------------------------|----------------------------------------------------|----------------------------------------------------------|----------------------------------------------------------------------------------|--------------------------------------------------------|---------------------------------------------------------|
| 1 | Corpo pompa completo | Complete pump body | Corps de pompe complet | Komplettes Pumpengehäuse | Caja bomba completa | Corpo da bomba completo |
| 2 | Girante A | Impeller A | Roue A | Laufrad A | Rodete A | Impulsor A |
| 2A | Girante B | Impeller B | Roue B | Laufrad B | Rodete B | Impulsor B |
| 3 | Diffusore | Diffuser | Diffuseur | Diffusor | Difusor | Difusor |
| 4 | Flangia di aspirazione | Suction flange | Bride d'aspiration | Ansaugflansch | Brida de aspiración | Flange de aspiração |
| 5 | Flangia motore (solo 4 poli) | Motor flange (4-pole only) | Bride moteur (uniquement 4 pôles) | Motorflansch (nur 4polig) | Brida motor (sólo 4 polos) | Flange motor (só 4 pólos) |
| 7 | Tenuta meccanica e guarnizione OR | Mechanical seal and O-Ring | Garniture mécanique et joint torique | Gleitringdichtung und O-Ring | Retén mecánico y aro tórico | Vedante mecánico e vedação OR |
| 8 | Guarnizione OR | O-Ring | Joint torique | O-Ring | Aro tórico | Vedação OR |
| 10 | Gruppo fissaggio girante (dado, rosetta e linguetta) | Impeller locking group (nut, washer and key) | Groupe de fixation roue (écrou, rondelle et clavette) | Befestigungsgruppe des Laufrads (Feststellmutter, Unterlegscheibe und Passfeder) | Grupo de fijación rodete (tuerca, arandela y lengüeta) | Grupo de fixação do impulsor (porca, anilha e lingueta) |
| 11 | Cassa motore | Motor frame | Carcasse moteur | Motorgehäuse | Caja motor | Caixa motor |
| 12 | Albero motore | Motor shaft | Arbre moteur | Motorwelle | Eje motor | Veio motor |
| 13 | Cuscinetti | Bearings | Roulements | Lager | Cojinetes | Rolamentos |
| 14 | Coperchio motore | Motor cover | Couvercle moteur | Motorabdeckung | Tapa motor | Tampa motor |
| 15 | Ventola | Fan | Ventilateur | Lüfter | Ventilador | Ventoinha |
| 16 | Copriventola | Fan cover | Couvercle ventilateur | Lüfterhaube | Tapa ventilador | Cobertura da ventoinha |
| 17 | Tiranti | Tie rods | Tirants | Schrauben | Tirantes | Tirantes |
| 18 | Coprimorsettiera | Terminal board cover | Couvercle bornier | Klemmenkastendeckel | Tapa caja de bornes | Cobertura do quadro de grampos |
| N. | Beschrijving nl | Περιγραφή el | Açıklama tr | Kuvaus fi | Описание ru | Opis pl |
| 1 | Compleet pomhuis | Πλήρες σώμα αντλίας | Komple pompa gövdesi | Täydellinen pumpun runko | Полный корпус насоса | Kompletny korpus pompy |
| 2 | Waaier A | Πτερύγιο Α | A pompa çarkı | Juoksupyörä A | Рабочее колесо А | Wirnik A |
| 2A | Waaier B | Πτερύγιο Β | B pompa çarkı | Juoksupyörä B | Рабочее колесо В | Wirnik B |
| 3 | Diffusor | Πτερύγιο εκροπής | Difüzör | Diffusori | Диффузор | Dyfuzor |
| 4 | Aanzuigflens | Φλάντζα αναρρόφησης | Emme flanşı | Imulaippa | Фланец всасывания | Kolnierz ssawny |
| 5 | Motorflens (alleen 4-polig) | Φλάντζα κινητήρα (μόνο 4-πολικών) | Motor flanşı (sadece 4 kutuplu) | Moottorilaippa (ainoastaan 4 napaa) | Фланец двигателя (только 4 полюса) | Kolnierz silnika (tylko 4 bieguny) |
| 7 | Mechanische asafdichting en O-ringafdichting | Μηχανικός στυπιοθλύπτης και ροδέλες στεγανοποίησης | Mekanik conta ve O-Ring | Mekaaninen tiiviste ja O-rengas | Механическая прокладка и уплотнение OR | Uszczelnienie mechaniczne i uszczelka O-Ring |
| 8 | O-ringafdichting | Ροδέλλες στεγανοποίησης | O-Ring | O-rengas | Прокладка OR | Uszczelka O-Ring |
| 10 | Waaierbevestigingsblok (moer, ring en spie) | Σετ ασφάλισης περυγίων (παξιμάδι, ροδέλα, σφήνες) | Pompa rotorunu sabitleme takımı (somon, rondela ve kama) | Juoksupyörän kiinnityskokonaisuus (mutteri, välirengas ja kiila) | Узел фиксации рабочего колеса (гайка, шайба и шпонка) | Zespół mocujący wirnika (nakrętka, podkładka i wpust) |
| 11 | Motorhuis | Στάτης κινητήρα | Motor karteri | Moottorin kotelo | Корпус двигателя | Obudowa silnika |
| 12 | Motoras | Ρότορας με άξονα | Motor mili | Moottoriakseli | Вал двигателя | Wał silnika |
| 13 | Lagers | Ρουλεμάν | Rulmanlar | Laakerit | Подшипники | łożyska |
| 14 | Motorkap | Κάλυμμα κινητήρα | Motor kapağı | Moottorin kansi | Крышка двигателя | Pokrywa silnika |
| 15 | Ventilator | Πτερύγιο ψύξης | Fan | Tuuletin | Импеллер | Wentylator |
| 16 | Ventilatorkap | Κάλυμμα περυγίου ψύξης | Fan kapağı | Tuulettimen suojus | Крышка импеллера | Oslona wentylatora |
| 17 | Trekstangen | Ράβδος σύνδεσης | Çekme çubukları | Vetotangot | Тяги | Drażki kierownicze |
| 18 | Klemmenbordafdekking | Κάλυμμα ακροδεκτών | Bağlantı kutusu kapağı | Liitinalustan kansi | Крышка клеммника | Oslona skrzynki zaciskowej |

2FHE 32 - 2FHE4 32

 ELP 3 ~, 2P
 kW ->

| 32-250/55 | 32-250/75 |
|-------------|------------|
| 102220090 | 102220100 |
| 5,5 | 7,5 |
| 32-250/07 | 32-250/11 |
| 102225090 | 102225100 |
| 0,75 | 1,1 |

 ELP 3 ~, 4P
 kW ->

Kit

| 7* | Seal D: 22, OR, bleed valve | VBPGG | VBEGG | VCEGG | VBVGG | Q1Q1VGG | All Models 2FHE |
|----|-----------------------------|---------|------------------------|---------|---------|---------|-----------------|
| | | KL01AB8 | KL01AB9 | KL01ACA | KL01ACB | KL01ACC | |
| 8* | OR NBR kit | KL02AAL | OR for All Models 2FHE | | | | |
| | OR EPDM kit | KL02AAM | | | | | |
| | OR FPM kit | KL02AAN | | | | | |

 Seals available at stock:
 Cer/Carb/NBR-EPR-FPM

| | | | | |
|-----|----------------------------------------|----|---------|---------|
| 10 | Imp. lock w/keys (& Splash-Guard) | 2P | KL39AAD | KL39AAD |
| | | 4P | KL39AAD | KL39AAD |
| 12 | Rotor-shaft w/bearings | 2P | KL09ABP | KL09ABQ |
| | | 4P | KL09ABR | KL09ABR |
| 13* | Bearings, seal rings | 2P | KL11AAL | KL11AAL |
| | | 4P | KL11AAM | KL11AAM |
| 18 | Terminal box | 2P | KL30AA7 | KL30AA7 |
| | | 4P | KL30AA8 | KL30AA8 |

Single Unit

| | | | | |
|-----|--------------------------|----|-----------|-----------|
| 1 | Pump body | 2P | 161353520 | 161353520 |
| | | 4P | 161353520 | 161353520 |
| 2* | Front imp. | 2P | 150783455 | 150783555 |
| | | 4P | 150783455 | 150783505 |
| 2A* | Back imp. | 2P | 150783405 | 150783555 |
| | | 4P | 150783505 | 150783555 |
| 3 | Diffuser | 2P | 162850140 | 162850140 |
| | | 4P | 162850140 | 162850140 |
| 4 | Suct. flange | 2P | 161050640 | 161050640 |
| | | 4P | 161050640 | 161050640 |
| 5 | Mot. flange | 2P | - | - |
| | | 4P | 161003590 | 161003590 |
| 11 | Motor case | 2P | 161330460 | 161330460 |
| | | 4P | 161330460 | 161330460 |
| 14 | Motor cover | 2P | 154030040 | 154030040 |
| | | 4P | 154030020 | 154030020 |
| 15 | Fan | 2P | 140760220 | 140760220 |
| | | 4P | 140760200 | 140760200 |
| 16 | Fan cover | 2P | 164201960 | 164201960 |
| | | 4P | 164201910 | 164201910 |
| 17 | Tie rod | 2P | 167102890 | 167102890 |
| | | 4P | 167102310 | 167102310 |
| | Condensate drain plug | 2P | 168460420 | 168460420 |
| | | 4P | 168460420 | 168460420 |



Lowara