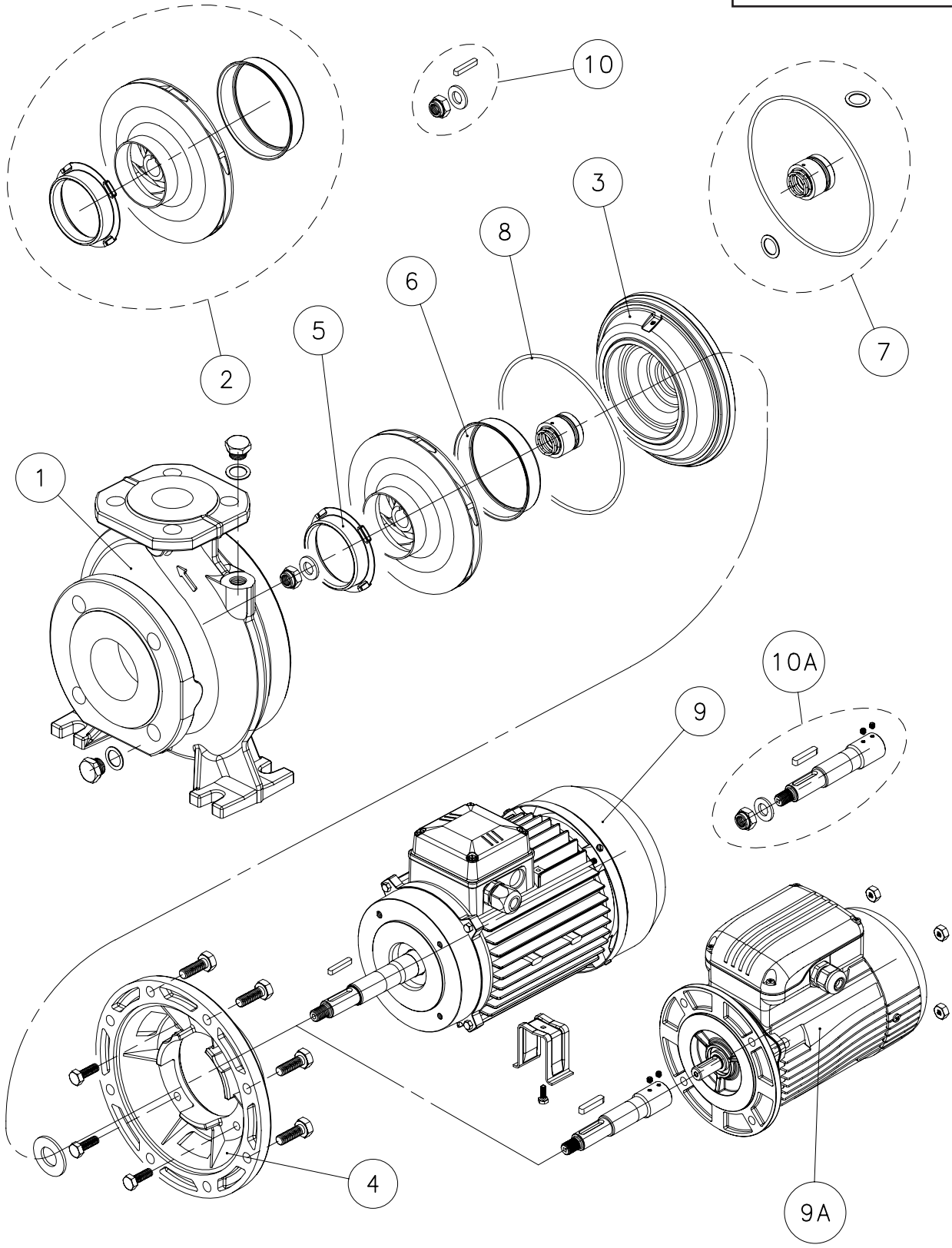




ITT

Lowara

FHE - FHE4



04700_C_DE

**IT**

N.	Descrizione it	Description en	Description fr	Beschreibung de	Descripción es	Descrição pt
1	Corpo pompa completo	Complete pump body	Corps de pompe complete	Kompletter pumpengehäuse	Caja bomba completa	Corpo da bomba complete
2	Girante e anelli di usura	Impeller and wear rings	Roue et anneaux d'usure	Lauftrad und Verschleißringe	Rodete y anillos de desgaste	Impulsor e anéis compensadores de desgaste
3	Disco portatenuta (con anello di usura)	Seal housing disc (with wear ring)	Disque d'étanchéité (avec anneau d'usure)	Dichtungsscheibe (mit Ausgleichsring)	Disco de alojamiento retén (con anillo de desgaste)	Disco porta-vedante (com anel compensador de desgaste)
4	Lanterna	Adaptor	Lanterne	Antriebslaterne	Adaptador	Adaptador
5	Rasamento anteriore	Front wear plate	Bague pour régulation du jeu axial avant	Vordere Ausgleichsscheibe	Espesor delantero	Casquilho anterior
6	Rasamento posteriore	Back wear plate	Bague pour régulation du jeu axial arrière	Hintere Ausgleichsscheibe	Espesor trasero	Casquilho posterior
7	Tenuta meccanica e guarnizione OR	Mechanical seal and O-Ring	Garniture mécanique et joint torique	Gleitringdichtung und O-Ring	Retén mecánico y aro tórico	Vedante mecánico e vedação OR
8	Guarnizione OR	O-Ring	Joint torique	O-Ring	Aro tórico	Vedação OR
9	Motore completo	Complete motor	Moteur complet	Kompletter Motor	Motor completo	Motor complete
9A	Motore completo (solo 4 poli grandezza 71)	Complete motor (4-poles size 71 only)	Moteur complet (uniquement 4 pôles taille 71)	Kompletter Motor (nur 4polig Größe 71)	Motor completo (sólo 4 polos tamaño 71)	Motor complete (só 4 pólos grandezza 71)
10	Gruppo fissaggio girante (dado, rosetta e linguetta)	Impeller locking group (nut, washer and key)	Groupe de fixation roue (ecrou, rondelle et clavette)	Befestigungsgruppe Lauftrads auf (Feststellmutter, Unterlegscheibe und Passfeder)	Grupo de fijación rodete (tuerca, arandela y lengüeta)	Grupo de fixação do impulsor (porca, anilha e lingueta)
10A	Giunto con gruppo fissaggio girante (solo 4 poli grandezza 71)	Coupling with impeller locking group (4-poles size 71 only)	Manchon avec groupe de fixation roue (uniquement 4 pôles taille 71)	Kupplung mit Befestigungsgruppe Lauftrad (nur 4polig Größe 71)	Junta con grupo de fijación rodete (sólo 4 polos tamaño 71)	Junta com grupo de fixação do impulsor (só 4 pólos grandezza 71)
N.	Beschrijving nl	Περιγραφή el	Açıklama tr	Kuvaus fi	Описание ru	Opis pl
1	Compleet pomphuis	Πλήρες σώμα αντλίας	Komple pompa gövdesi	Täydellinen pumpun runko	Полный корпус насоса	Kompletny korpus pompy
2	Waaier en slijtringen	Πτερύγιο και δακτύλιοι τριβής	Pompa rotoru ve aşınma halkaları	Juoksupyörä ja kulumisrenkaat	Рабочее колесо и изнашиваемые кольца	Wirnik i pierścienie wymienne
3	Dichtingssteunplaat (met slijtring)	Δίσκος μηχανικού στυπιοθλίπτη και δακτύλιος τριβής	Sızdırmazlık diskisi (aşınma halkası ile)	Tiivisteenn kannatuslevy (kulumisrenkaalla)	Диск держателя прокладки (с изнашиваемым кольцом)	Tarcza uszczelki (z wymiennym pierścieniem)
4	Lantaarstuk	Μπρακέτο	Adaptör	Sovitin	Адаптер	Lampa
5	Voorste schraapring	Πρόσθετος δακτύλιος τριβής	Ön ara halkası	Etuvälilevy	Передняя утолщающая прокладка	Wyglądanie przednie
6	Achterste schraapring	Οπίσθιος δακτύλιος τριβής	Arka ara halkası	Takavälilevy	Задняя утолщающая прокладка	Wyglądanie tylne
7	Mechanische asafdichting en O-ringafdichting	Μηχανικός στυπιοθλίπτης και ροδέλες στεγανοποίησης	Mekanik conta ve O-Ring	Mekaaninen tiiviste ja O-rengas	Механическая прокладка и уплотнение OR	Uszczelnienie mechaniczne i uszczelka O-Ring
8	O-ringafdichting	Ροδέλα στεγανοποίησης	O-Ring	O-rengas	Прокладка OR	Uszczelka O-Ring
9	Complete motor	Πλήρης κινητήρας	Komple motor	Täydellinen moottori	Укомплектованный двигатель	Kompletny silnik
9A	Complete motor (alleen 4-polig grootte 71)	Πλήρης κινητήρας (τετραπολικό μόνο μεγέθους 71)	Komple motor (sadece 4 kutuplu; boyu: 71)	Täydellinen moottori (ainoastaan 4 napaa, koko 71)	Укомплектованный двигатель (только 4 полюса величина 71)	Kompletny silnik (tylko 4 bieguny wielkość 71)
10	Waaierbevestigingsblok (moer, ring en spie)	Σετ ασφάλισης πτερυγίου (παξιμάδι, ροδέλα, σφήνα)	Pompa rotorunu sabitleme takımı (somun, rondela ve kama)	Juoksupyörän kiinnityskokonaisuus (mutteri, välirengas ja kiila)	Узел фиксации рабочего колеса (гайка, шайба и шпонка)	Zespół mocujący wirnika (nakrętka, podkładka i wpust)
10A	Koppeling met waaierbevestigingsblok (alleen 4-polig grootte 71)	Προέκταση άξονα και σετ ασφάλισης πτερυγίου	Pompa rotorunu sabitleme takımı ile mafsalsal (sadece 4 kutuplu; boyu: 71)	Liitos juoksupyörän kiinnityskokonaisuudella (ainoastaan 4 napaa, koko 71)	Соединение с узлом фиксации рабочего колеса (только 4 полюса величина 71)	Złącze z zespołem mocującym wirnika (tylko 4 bieguny wielkość 71)

FHE-FHE4-descr_b_sc

Lowara

FHEM 32 - FHE 32 - FHE4 32

	32-125/07	32-125/11	32-160/15	32-160/22	32-200/30	32-200/40
ELP 1 ~, 2P	107440510	107440520	107440530	102224540		
ELP 3 ~, 2P	107440020	107440030	107440040	107440050	102220060	102220070
KW ->	0,75	1,1	1,5	2,2	3,0	4,0
	32-125/02A	32-125/02	32-160/02	32-160/03	32-200/03	32-200/05
ELP 3 ~, 4P	107440600	107440610	107440620	107440630	107440640	107440650
KW ->	0,25	0,25	0,25	0,37	0,37	0,55

Kit	Dia	119	136	150	164	188	205
2*	Impeller 2P	KL04AA9	KL04ABA	KL04ABB	KL04ABC	KL04ABD	KL04ABE
	Impeller 4P	KL04AA9	KL04ABA	KL04ABB	KL04ABC	KL04ABD	KL04ABE

	Material-->	VBPGG	VBEGG	VCEGG	VBVGG	Q1Q1VGG	
7*	Seal kit	KL01AAN	KL01AAS	KL01ABW	KL01AB2	KL01AB5	All Versions Seal D: 22
8*	OR NBR Kit	KL02AAG	All Versions incl. 3 Dia - OR .				
	OR EPR Kit	KL02AAH	All Versions incl. 3 Dia - OR .				
	OR FPM Kit	KL02AAK	All Versions incl. 3 Dia - OR .				
10	Imp. lock kit M12	KL39AAA	All Versions				
10A	Coupling 4P D:18	KL10AAG	4P -> 200/03				

Single Unit

1	Pump body	151350520	151350520	151350540	151350540	151350560	151350560
3	Seal Housing	160150200	160150200	150150040	150150040	150150050	150150050
4	Adaptor 2P	161430511	161430511	161430511	161430511	161453131	161453141
	Adaptor 4P	161430521	161430521	161430521	161430521	161453141	161453131
5	Wear ring	168601491	168601491	168601491	168601491	168601491	168601491
6	Back wear ring			465020201	465020201	465020201	
9**	Motor 1 ~, 2P	13278H00E	13278H00F	13282H00F	130647082		
	Motor 3 ~, 2P	13274R00E	13274R00F	13278R00F	13282R00F	130647063	130647105
	Motor 3 ~, 4P						13275R00F
9A**	Motor 3 ~, 4P	13258R00L	13258R00L	13258R00L	13262R00L	13262R00L	
	Fill - Drain plug	168420090	All Versions, N. 2				

For ELP P/N 10744*) produced afters Mar02 motors size 63-71-80 are finned (without tie-rods).

* Recommended spares

** Motor spares: see motor lists.



ITT

Lowara

Production date >Jan00

FHEM 40 - FHE 40 - FHE4 40

	40-125/11	40-125/15	40-125/22	40-160/30	40-160/40	40-200/55	40-200/75	40-250/92	40-250/110	40-250/150
ELP 1 ~, 2P, 50	107440550	107440560	102224570							
ELP 3 ~, 2P, 50	107440140	107440150	107440160	102220180	102220190	102220210	102220220	102220230	102220240	102220250
kW ->	1,1	1,5	2,2	3,0	4,0	5,5	7,5	9,2	11,0	15,0
	40-125/02A	40-125/02	40-125/03	40-160/03	40-160/05	40-200/07	40-200/11	40-250/11	40-250/15	40-250/22
ELP 3 ~, 4P, 50	107440670	107440680	107440690	107440700	107440710	107440720	102225210	102225230	102225240	102225250
kW ->	0,25	0,25	0,37	0,37	0,55	0,75	1,1	1,1	1,5	2,2

Kit	Dia	112 - 119	126 - 135	143	159	171	190	209	218	233	251
2*	Impeller 2P	KL04ABF	KL04ABG	KL04ABH	KL04ABK	KL04ABL	KL04ABM	KL04ABN	KL04ABP	KL04ABQ	KL04ABR
	Impeller 4P	KL04AK9	KL04AK8	KL04ABH	KL04ABK	KL04ABL	KL04ABM	KL04ABN	KL04ABP	KL04ABQ	KL04ABR

7*	Material -->	VBPGG	VBEGG	VCEGG	VBVGG	Q1Q1VGG	Seal D: 22, 2P->250/110; 4P->250/15				
	Seal Kit	KL01AAN	KL01AAS	KL01ABW	KL01AB2	KL01AB5					
7*	Material -->	VBPGG	VBEGG	VCEGG	VBVGG	Q1Q1VGG	Seal D: 28, 2P - 250/150; 4P->250/22				
	Seal Kit	KL01AAR	KL01AAV	KL01ABX	KL01AB3	KL01AB6					
8*	OR NBR Kit	KL02AAG	Incl. 3 Dia - OR .								
	OR EPR Kit	KL02AAH	Incl. 3 Dia - OR .								
	OR NBR Kit	KL02AAK	Incl. 3 Dia - OR .								
10	Imp.lock kit M12	KL39AAA	2P->250/110; 4P->250/15								
10	Imp.lock kit M16	KL39AAB	2P: 250/150; 4P: 250/22								
10A	Coupling 4P D:18	KL10AAG	4P ->160/03								

Single Unit

1	Pump body	151350580	151350580	151350580	151350600	151350600	151350620	151350620	151350640	151350640	151350650
3	Seal-housing	160150200	160150200	160150200	150150040	150150040	150150050	150150050	150150070	150150070	150150090
4	Adaptor 2P	161430511	161430511	161430511	161430511	161430521	161453141	161453141	161452881	161452881	161452841
4	Adaptor 4P	161430521	161430521	161430521	161430521	161430511	161453151	161453151	161452881	161452881	161452841
5	Wear ring	168601500	168601500	168601500	168601500	168601500	168601500	168601500	168601510	168601510	168601510
6	Back wear ring				465020201	465020201	465020201	465020201	465020201	465020201	465020201
9**	Motor 1 ~, 2P	13278H00F	13282H00F	130647082							
	Motor 3 ~, 2P	13274R00F	13278R00F	13282R00F	130647063	130647105	130647137	130647143	130647253	130647263	130647304
	Motor 3 ~, 4P					13275R00F	13279R00J	130647601	130647601	130647610	130647661
9A**	Motor 3 ~, 4P	13258R00L	13258R00L	13262R00L	13262R00L						
	Fill - Drain plug	168420090	All Versions, N. 2								

For ELP P/N 10744*) produced afters Mar02 motors size 63-71-80 are finned (without tie-rods).

* Recommended spares

** Motor spares: see motor lists.

FHE32-80_5_Jan00_EdB



ITT

Lowara

Production date > Jan00

FHEM 50 - FHE 50 - FHE4 50

	50-125/22	50-125/30	50-125/40	50-160/55	50-160/75	50-200/92	50-200/110	50-250/150	50-250/185	50-250/220
ELP 1 ~, 2P	102224580									
ELP 3 ~, 2P	107440280	102220290	102220300	102220310	102220320	102220330	102220340	102220350	102220360	102220370
KW->	2,2	3,0	4,0	5,5	7,5	9,2	11,0	15,0	18,5	22,0
	50-125/03A	50-125/03	50-125/05	50-160/07	50-160/11	50-200/11	50-200/15	50-250/22A	50-250/22	50-250/30
ELP3~, 4P	107440740	107440750	107440760	107440770	102225320	102225330	102225340	102225350	102225360	102225370
KW->	0,37	0,37	0,55	0,75	1,1	1,1	1,5	2,2	2,2	3,0

Kit	Dia	119	130	139	158	174	197	209	224	237	250
2*	Impeller 2P	KL04ABS	KL04ABT	KL04ABU	KL04ABV	KL04ABW	KL04ABX	KL04ABY	KL04ABZ	KL04AB0	KL04AB1
2*	Impeller 4P	KL04ABS	KL04ABT	KL04ABU	KL04ABV	KL04ABW	KL04ABX	KL04ABY	KL04ABZ	KL04AB0	KL04AB1

7*	Material -->	VBPGG	VBEGG	VCEGG	VBVGG	Q1Q1VGG	Seal D:22, 2P->200/110; 4P->200/15
	Seal Kit	KL01AAN	KL01AAS	KL01ABW	KL01AB2	KL01AB5	
7*	Material -->	VBPGG	VBEGG	VCEGG	VBVGG	Q1Q1VGG	Seal D:28, 2P->250/220; 4P->250/30
	Seal Kit	KL01AAR	KL01AAV	KL01ABX	KL01AB3	KL01AB6	
8*	OR NBR Kit	KL02AAG	All Versions incl. 3 Dia-OR.				
	OR EPR Kit	KL02AAH	All Versions incl. 3 Dia-OR.				
	OR FPM Kit	KL02AAK	All Versions incl. 3 Dia-OR.				
10	Imp. lock Kit M12	KL39AAA	2P ->200/110; 4P->200/15				
	Imp. lock Kit M16	KL39AAB	2P - 4P: All models 250				
10A	Coupling 4P D: 18	KL10AAG	4P ->125/03				

Single Unit

1	Pump body	151350660	151350660	151350660	151350680	151350680	151350700	151350700	151350730	151350730	151350730
3	Seal-housing	160150200	160150200	160150200	150150050	150150050	150150050	150150050	150150090	150150090	150150090
4	Adaptor 2P	161430511	161430511	161430521	161453141	161453141	161453151	161453151	161452841	161452841	161452841
	Adaptor 4P	161430521	161430521	161430511	161453151	161453151	161453151	161453151	161452841	161452841	161452841
5	Wear ring	168601510	168601510	168601510	168601510	168601510	168601510	168601510	168601510	168601510	168601510
6	Back wear ring				465020201	465020201	465020201	465020201	465020201	465020201	465020201
9**	Motor 1 ~, 2P	13282R00F									
	Motor 3 ~, 2P	130647082	130647063	130647105	130647137	130647143	130647253	130647263	130647304	130647314	130647324
	Motor 3 ~, 4P			13275R00F	13279R00J	130647601	130647601	130647610	130647661	130647661	130647671
9A**	Motor 3 ~, 4P	13262R00L	13262R00L								
	Fill - Drain plug	168420090	All Versions, N. 2								

For ELP P/N 10744*) produced afters Mar02 motors size 63-71-80 are finned (without tie-rods).

* Recommended spares

** Motor spares: see motor lists.

FHE32-80_5_Jan00_EdB

Production date > Jan00

FHE 65 - FHE4 65

ELP. 3~, 2P	65-125/40	65-125/55	65-125/75	65-160/92	65-160/110	65-160/150	65-200/150	65-200/185	65-200/220	65-250/220
	102220410	102220420	102220430	102220450	102220460	102220470	102220490	102220500	102220510	102220520
KW ->	4,0	5,5	7,5	9,2	11,0	15,0	15,0	18,5	22,0	22,0
ELP. 3~, 4P	65-125/05	65-125/07	65-125/11	65-160/11	65-160/15	65-160/22	65-200/15	65-200/22	65-200/30	65-250/30
	107440790	107440800	102225420	102225450	102225460	102225470	102225480	102225490	102225500	102225510
KW ->	0,55	0,75	1,1	1,1	1,5	2,2	1,5	2,2	3,0	3,0
	65-250/40	65-250/55								
	102225520	102225530								
KW ->	4,0	5,5								

Kit	Dia	121	129	140	161	168	178	187	198	210	220
		241	258								
2*	Impeller 2P	KL04AB2	KL04AB3	KL04AB4	KL04AB5	KL04AB6	KL04AB7	KL04AB8	KL04AB9	KL04ACA	KL04ACB
	Impeller 4P	KL04AB2	KL04AB3	KL04AB4	KL04AB5	KL04AB6	KL04AB7	KL04AB2	KL04AB3	KL04AB4	KL04AB5

7*	Material -->	VBPGG	VBEGG	VCEGG	VBVGG	Q1Q1VGG	Seal D:22, 2P->160/92; 4P ->160/11				
	Seal Kit	KL01AAN	KL01AAS	KL01ABW	KL01AB2	KL01AB5					
	Material -->	VBPGG	VBEGG	VCEGG	VBVGG	Q1Q1VGG	Seal D:28, 2P->250/220; 4P-> 250/55				
	Seal Kit	KL01AAR	KL01AAV	KL01ABX	KL01AB3	KL01AB6					
8*	OR NBR Kit	KL02AAG	All Versions incl. 3 Dia - OR .								
	OR EPR Kit	KL02AAH	All Versions incl. 3 Dia - OR .								
	OR FPM Kit	KL02AAK	All Versions incl. 3 Dia - OR .								
10	Imp.lock kit M12	KL39AAA	2P->160/92; 4P->160/11								
	Imp.lock kit M16	KL39AAB	2P->250/220; 4P->250/55								

Single Unit, 2P

1	Pump body	151350740	151350740	151350740	151350760	151350760	151350770	151350790	151350790	151350790	151350810
3	Seal-housing	160150220	160150220	160150220	150150070	150150080	150150080	150150080	150150080	150150080	150150080
4	Adaptor	161453141	161453141	161453141	161452881	161452881	161452841	161452841	161452841	161452841	161452841
5	Wear ring	168601520	168601520	168601520	168601580	168601580	168601580	168601580	168601580	168601580	168601580
6	Back wear ring				465020201	168601270	168601270	168601270	168601270	168601270	168601270
9**	Motor 3 ~, 2 P	130647105	130647137	130647143	130647253	130647264	130647304	130647304	130647314	130647324	130647324

Single Unit, 4P

1	Pump body	151350740	151350740	151350740	151350740	151350760	151350760	151350780	151350780	151350780	151350800
		151350800	151350800								
3	Seal-housing	160150220	160150220	160150220	150150070	150150080	150150080	150150080	150150080	150150080	150150080
		150150080	150150080								
4	Adaptor	161453131	161453151	161453151	161452881	161452881	161452841	161452881	161452841	161452841	161452841
		161452841	161452881								
5	Wear ring	168601520	168601520	168601520	168601580	168601580	168601580	168601580	168601580	168601580	168601580
		168601580	168601580								
6	Back wear ring				465020201	168601270	168601270	168601270	168601270	168601270	168601270
		168601270	168601270								
9**	Motor 3 ~, 4P	13275R00F	13279R00J	130647601	130647601	130647611	130647661	130647611	130647661	130647671	130647671
		130647701	130647763								
	Fill - Drain plug	168420090	All Versions, N. 2								

* Recommended spares

** Motor spares: see motor lists.



ITT

Lowara

Production date >Jan00

FHE 80 - FHE4 80

ELP 3 ~, 2P, 50 KW ->	80-160/110	80-160/150	80-160/185	80-200/220				
	102220560	102220570	102220580	102220610				
	11,0	15,0	18,5	22,0				
ELP 3 ~, 4P, 50 KW ->	80-160/15	80-160/22	80-200/30	80-200/40	80-250/40	80-250/55	80-250/75	
	102225560	102225570	102225590	102225600	102225620	102225630	102225640	
	1,5	2,2	3,0	4,0	4,0	5,5	7,5	

Kit	Dia	152	163	173	189	209	225	238	256
2*	Impeller, 2P	KL04AK6	KL04AK7	KL04AK1	KL04AK2				
	Impeller, 4P		KL04AK0	KL04AK1	KL04AK2	KL04AK3	KL04ALC	KL04AK5	KL04ALD

7*	Material -->	VBPGG	VBEGG	VCEGG	VBVGG	Q1Q1VGG	Seal D:28, 2P & 4P->250/40
	Seal kit	KL01AAR	KL01AAV	KL01ABX	KL01AB3	KL01AB6	
7*	Material -->	VBPGG	VBEGG	VCEGG	VBVGG	Q1Q1VGG	Seal D:33, 4P->250/75
	Seal kit	KL01ABU	KL01ABV	KL01AB1	KL01AB4	KL01AB7	
8*	OR NBR Kit	KL02AAG	All Versions incl. 3 Dia - OR .				
	OR EPDM Kit	KL02AAH	All Versions incl. 3 Dia - OR .				
	OR FPM Kit	KL02AAK	All Versions incl. 3 Dia - OR .				
10	Imp. lock Kit M16	KL39AAB	2P; 4P->250/40				
	Imp. lock Kit M20	KL39AAC	4P->250/75				

Single Unit

1	Pump body	151350840	151350850	151350850	151350870				
			151350840	151350840	151350860	151350860	151350880	151350880	151350880
3	Seal-housing	150150080	150150080	150150080	150150080				
			150150080	150150080	150150080	150150080	150150080	150150100	150150100
4	Adaptor 2P	161452881	161452841	161452841	161452841				
			161452881	161452841	161452841	161452841	161452841	161452881	161452881
5	Wear ring	168601270	168601270	168601270	168601270				
			168601270	168601270	168601270	168601270	168601270	168601270	168601270
6	Back wear ring	168601270	168601270	168601270	168601270				
			168601270	168601270	168601270	168601270	168601270	168601270	168601270
9**	Motor 3 ~, 2P	130647264	130647304	130647314	130647324				
			130647611	130647661	130647671	130647701	130647701	130647773	130647793
	Fill - Drain plug	168420090	All Versions, N. 2						

* Recommended spares

** Motor spares: see motor lists.

FHE32-80_5_Jan00_EdB



Lowara